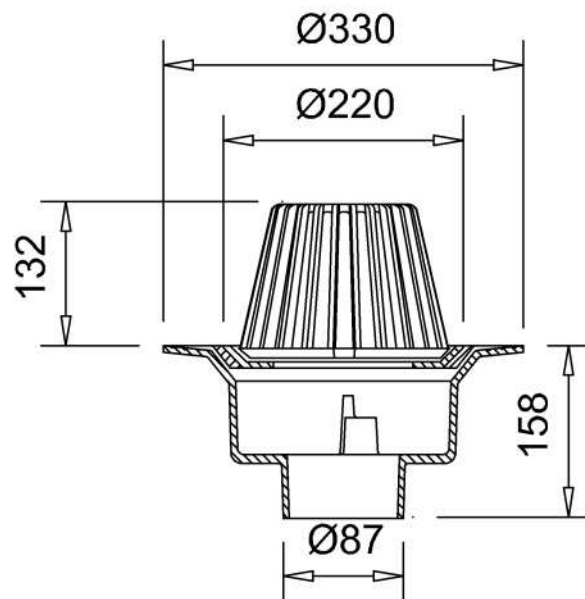




Frost Drainage
First Floor, Vision House
Bedford Road, Petersfield
Hampshire GU32 3QB
T: +44 (0)1730 77 40 00
E: sales@frostdrainage.co.uk
W: www.frostdrainage.com

Cold Roof Drain 33.0067



Specification

Cold roof drain assembly with fixed dome and 220mm round clamp shall be Frost Drainage 33.0067 with MJ75 vertical outlet. Area Drained 350sq.m

Material

- Dome: Black Polycarbonate
- Clamp: Ductile Iron Grade EN-GJS-450-10 to BS EN 1563:1997, Fettle & Black Lacquer paint
- Clamp Adaptor: 1.5mm Stainless Steel Grade 1.4301 (304) to BS EN 10088:1-2005
- Body: Cast Iron Grade EN-GJL-150 to BS EN 1561:1997, High Dip Enamel, RAL5005 Signal Blue